

Goldhofer



STZ-H/L 6

SEMI LOWLOADER



MADE FOR YOUR MISSION

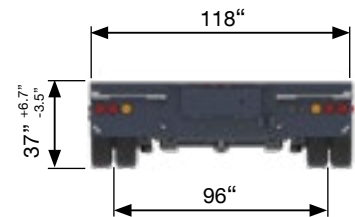
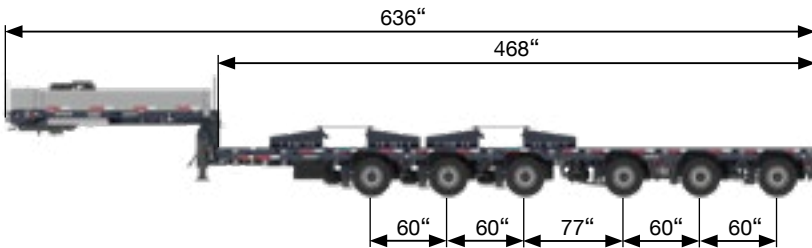
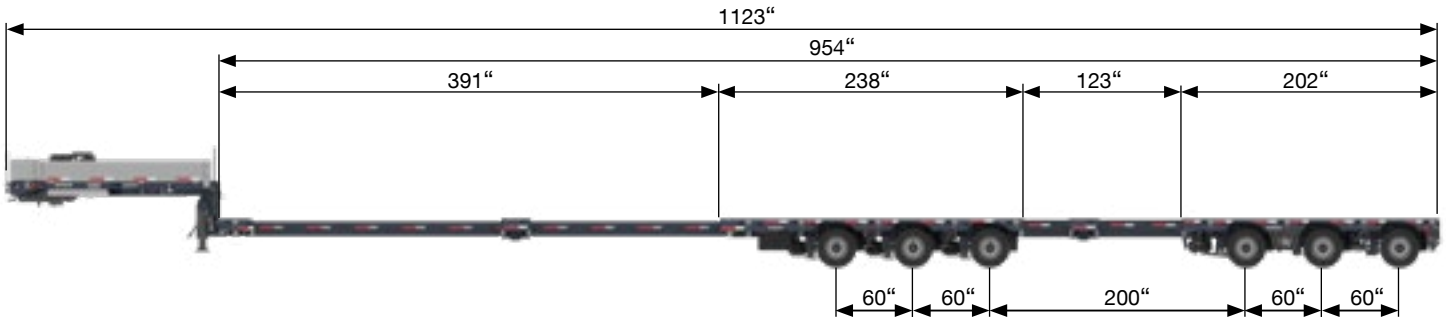
YOUR BENEFITS

- » Trailer available in two widths (118" or 100") with hydraulic or air suspension
- » Strong chassis design and highest side stability *
- » Quickly ready in operation due to intelligent telescopic design
- » Optimum maneuverability thanks to up-to-date steering concept including the possibility of radio remote control override
- » Multiple load securement points for maximum transport safety
- » Low maintenance and long service life
- » Comprehensive accessories available

TECHNICAL FEATURES

+ Axle load	26,455 lbs at 50 mph
+ Loading height*	37" (+6.7"/-3.5")
+ Axle compensation*	10.2"
+ Lift Axles	1-4
+ Twin tires	245/70 R 17.5

* for trailer with hydraulic suspension and basic width 118"



OPTIONAL TRAILER WIDTH: 100"

GOLDHOFER AKTIENGESELLSCHAFT

Donaustrasse 95, 87700 Memmingen/Germany
 Telephone: +49 8331 15-0, Fax: +49 8331 15-239
 Web: www.goldhofer.com, E-Mail: info@goldhofer.com

GOLDHOFER INC.

7401 Riviera Boulevard, Miramar, FL 33023, USA
 Telephone: +1 954 433 5617, Fax: +1 954 433 5445
 Web: www.goldhofer.com, E-Mail: info.usa@goldhofer.com

MADE FOR YOUR MISSION